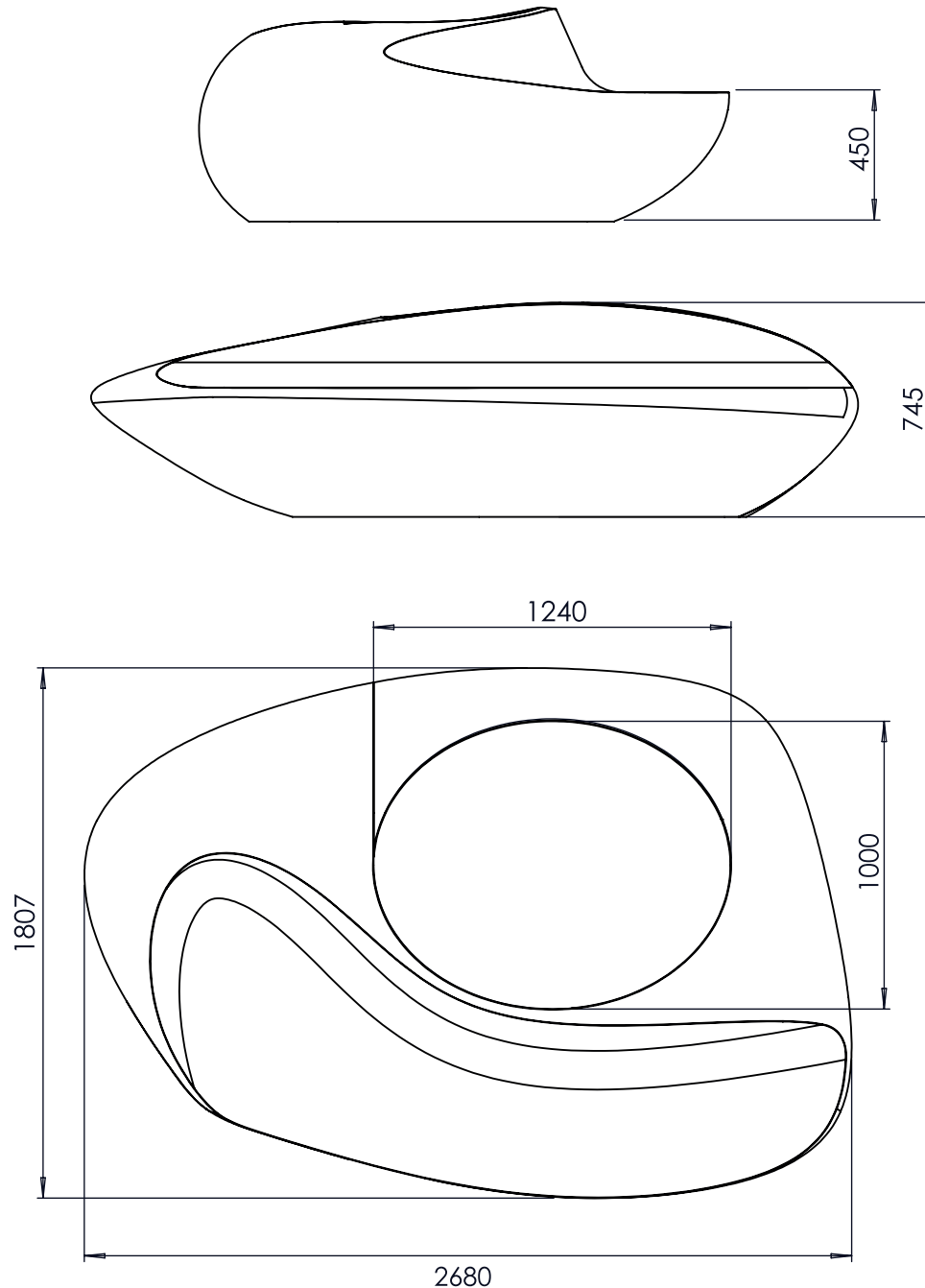




Max Dimensions:

Height: 745 mm | Length: 2680 mm | Width: 1807 mm

Height of the seat: 450 mm

**MATERIAL DESCRIPTION**

The outer part of the Aveo bench is made in hypergranite, fiber-reinforced material made in polyester resin and marble powders, particularly resistant to wear and atmospheric agents. Hypergranite is available in many different colours. It is made of two elements, placed one next to the other, to create the particular organic shape of the bench. Inside the hole, with oval section, in the middle of the bench there are two calendered walls made in steel sheet, 30/10 thickness, creating the perimeter around the planter. This solution has been developed to allow the installation of the Aveo Bench even where the tree is already present.

For the realization of this product, Steel EN10111DD11 is used and later treated with a cycle of sandblasting, cataphoresis and powder coating. Such cycle is meant to guarantee the protection of the painted products, in an environment of C4 corrosion class, as requested by the UNI regulations EN ISO 12944-2. The products are eventually polyester-powder coated with RAL colours at choice.

LAB23

AVEO BENCH

Bench



Designer: Stéphane Chapelet