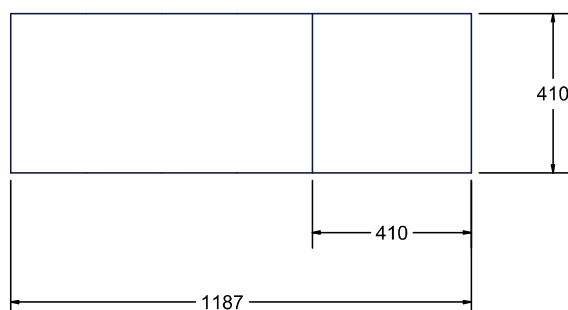
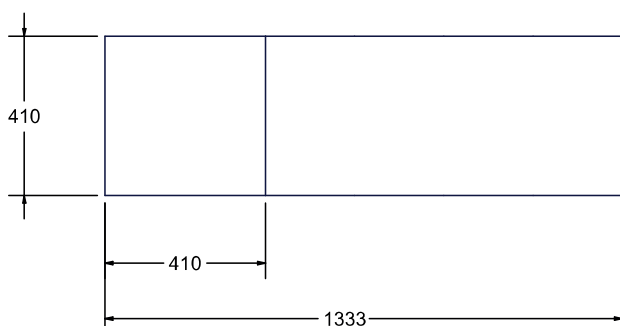
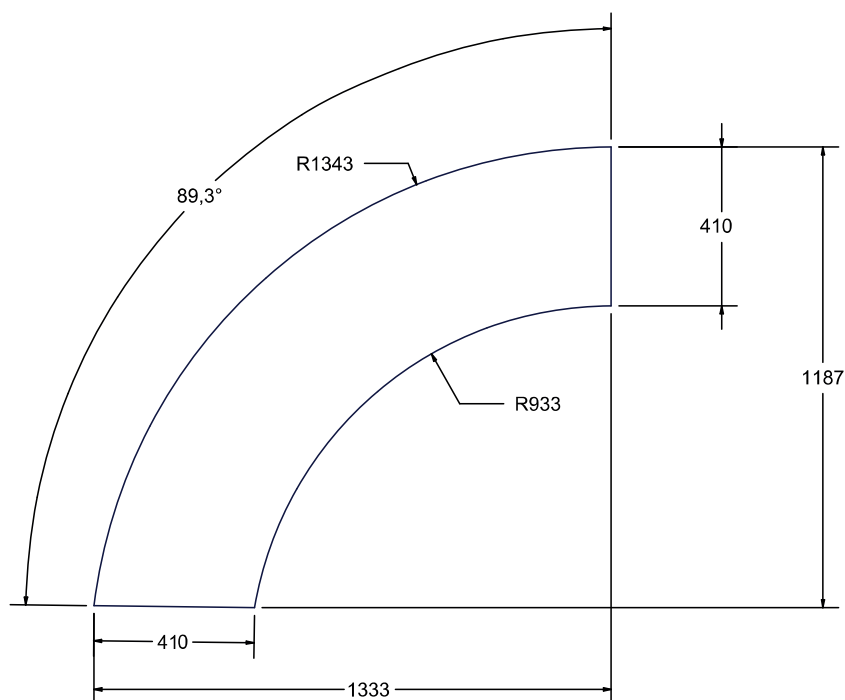




Max dimensions:

Height: 410 mm | Width: 1187 mm | Length: 1333 mm

**MATERIAL DESCRIPTION**

Fiber-reinforced composite material made of a polyester resin and marble powder particularly resistant to wear and to atmospheric agents. Scratches and accidental damages can also be easily repaired thanks to the appropriate kits (available on request).

Hypergranite is finally available in different colours.

LAB23

S CURVO

Bench



Designer: Veronica Martinez