

## “RING W” bench

**Sheet code:** FIAR015

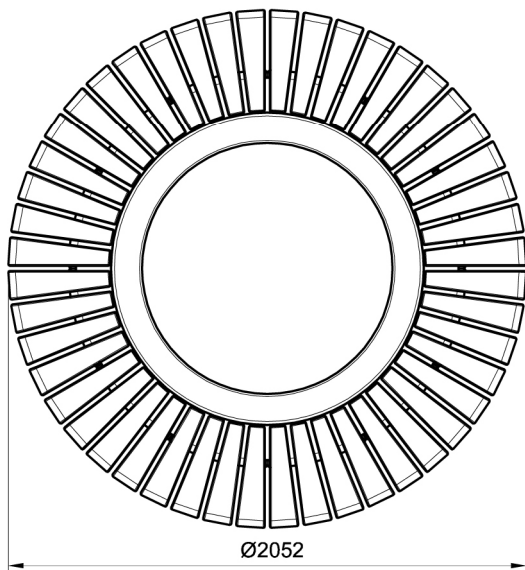
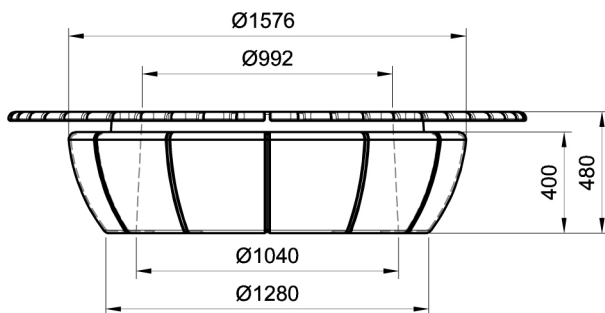
**Drawing code:**

**Revision:**

10/01/2019

**Designer:**

Bellitalia Design Department



**Product:**

Circular, monolithic bench model “RING W”, equipped with 48 wooden slats supported by a dedicated structure, and with a central hole fitted to lodge both flowers and plants. The bench can be possibly equipped with an internal bin.

**Dimensions:**

external diameter: 2052 mm;  
internal diameter: 992 mm;  
height: 480 mm;  
total weight: 1039 kg.  
capacity: 389,0 litres.

**Material:**

The bench can be manufactured using reconstituted natural marble stones or white granite conglomerate. The structure is made of steel. Wooden slats are offered with three different types of essence: pine, okumè or exotic wood (please see respective material sheet).

**Reinforcing:**

The reinforcing is made by a ring and bushes for the movement of each product.

**Finishing:**

The bench surface can be polished, to give the product a shiny effect, or bush-hammered, for a rough appearance. The surface is covered with a transparent anti-decay coating, or, upon request, with anti-graffiti products. All wooden elements in pine and okumè can be impregnated and painted with a protective varnish, the exotic wood is impregnated and, upon request, varnished. All edges are rounded or made blunt.

**Handling:**

Use appropriate equipment when handling.

**Installation:**

Simply place the bench on the flooring.