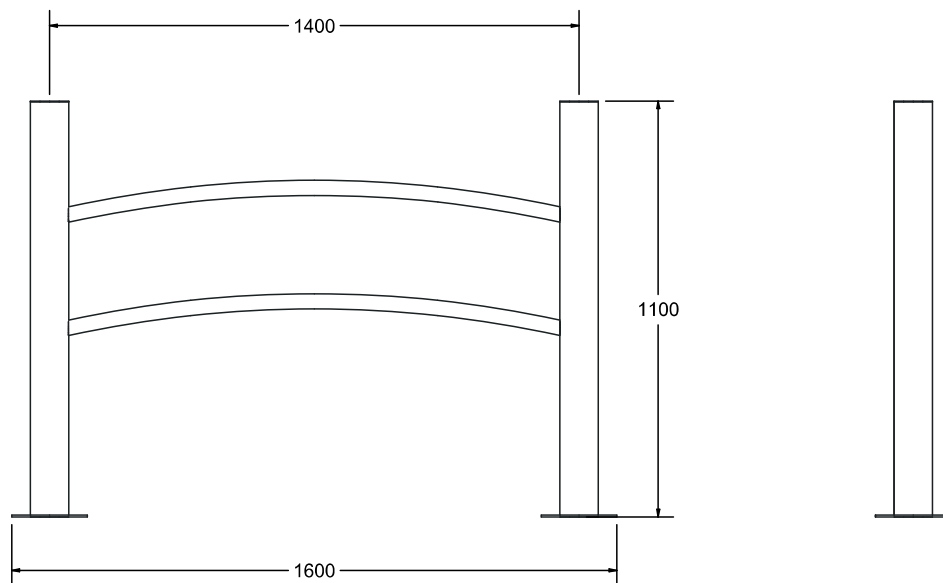
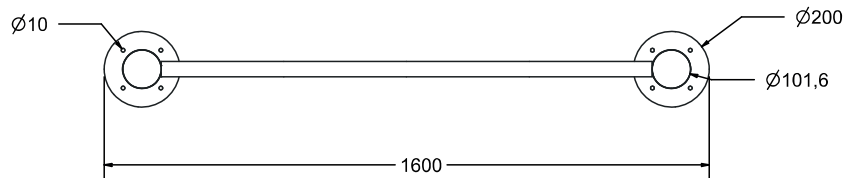




**Max Dimensions:**

Height: 1100 mm | Length: 1600 mm | Tube:  $\varnothing$  101,6 mm  
Plate:  $\varnothing$  200 mm

**Description:**

The structure of the barrier NAVY is made of 2 vertical pillars in tubular steel AISI 316 with 101,6 mm diam. connected to each other by 2 tubular stainless steel AISI 316 with 40mm diam., bent with a radius of 303,29 mm and fixed with specific screws in stainless steel. The vertical elements have an interaxis of 1400 mm and the bent ones have an interaxis of 300 mm. Plates of 200 mm diam. and 5 mm thickness, provided with 4 holes 10 mm diam. for the fixing to the ground through bolts (not provided), are welded to the pillars.