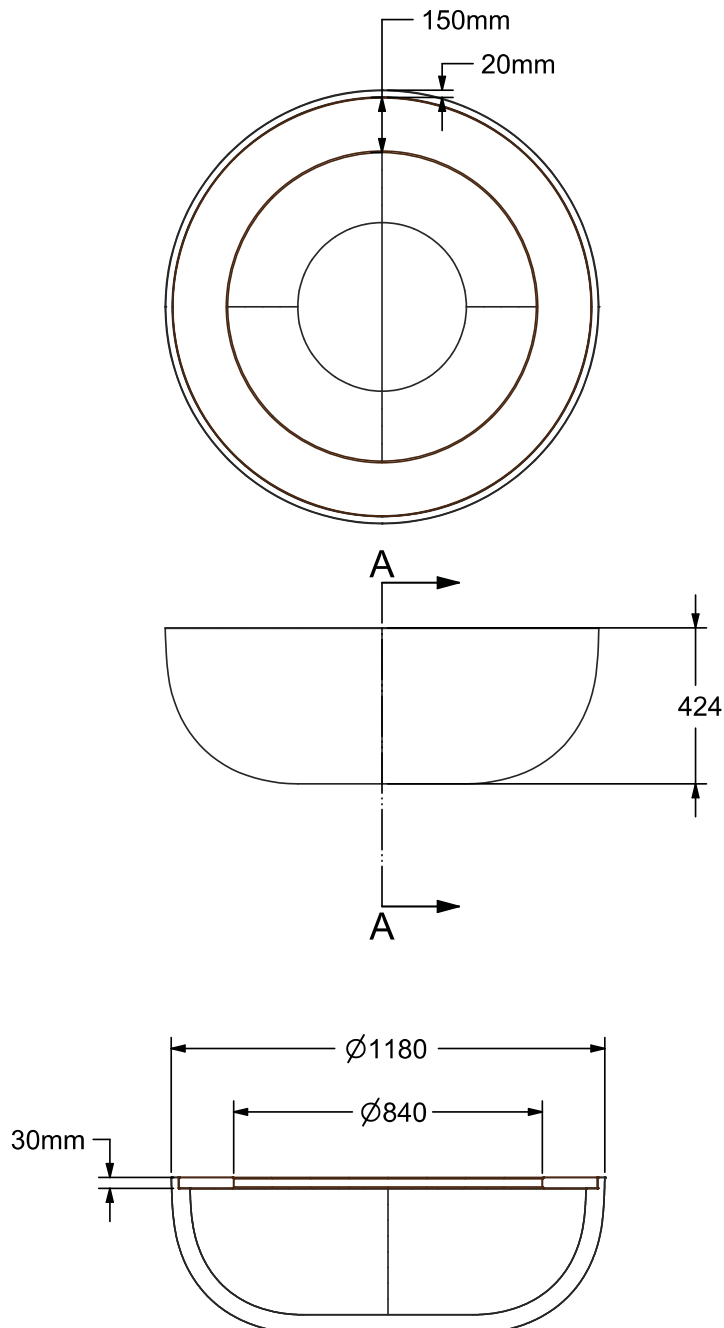




**Max Dimensions:**

Height: 424 mm | Outer Diameter: 1180 mm | Inner Diameter: 840 mm

Planter tray: 85 kg | Capacity: 230 lt



SECTION A-A

**MATERIAL DESCRIPTION**

HPRC® is a composite, malleable and highly performing material that allows the production of elements of any shape. HPRC® is characterised by its very high mechanical resistance (traction/compression) and impermeability. It is highly resistant to shocks and atmospheric agents (salt, smog, ice, sand, etc.). The smooth and material finish and the very high ability to disperse heat/cold make it a very comfortable material even in extreme climatic situations. An anti-graffiti material and, if necessary, repairable thanks to the repair KIT supplied on request. An ECOLOGICAL material, it is produced with at least 30% recycled and 100% recyclable material, and which meets the minimum environmental criteria (MEC) dictated by current regulations.