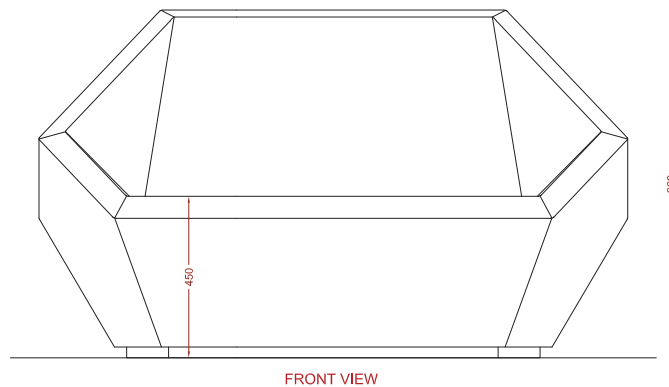
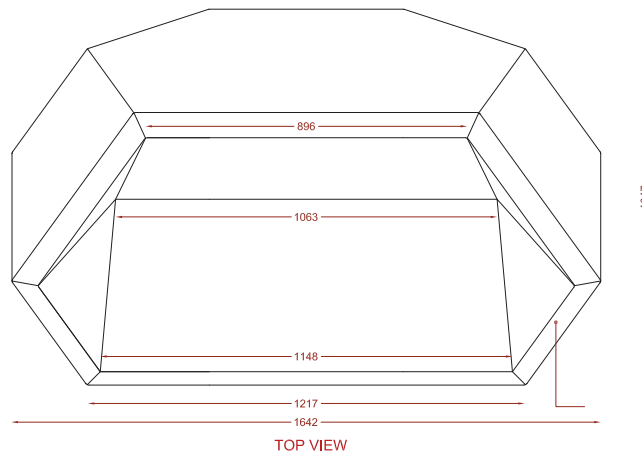
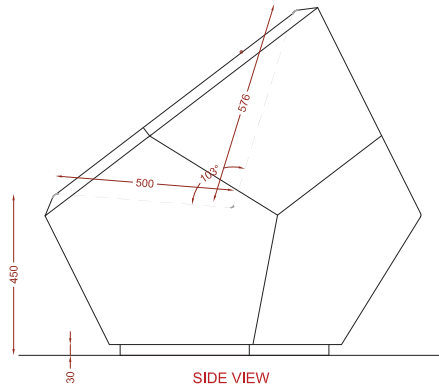




**Max Dimensions:**

Height: 969 mm | Length: 1642 mm | Width: 1047 mm

**HYPERCONCRETE****Base:**

Mix of concrete, sand and resin, which is the result of two layers of this mix applied on the mould, characterized by a flat and homogeneous surface.

**HYPERGRANITE****Colored Surface:**

Hypergranite is a fiber-reinforced material, made of polyester resin and marble powders, extremely resistant to weathering and atmospheric agents. Scratches and accidental damages can be easily repaired with our kit, available on demand. Hypergranite is available in many different colors, finishes and granularities.