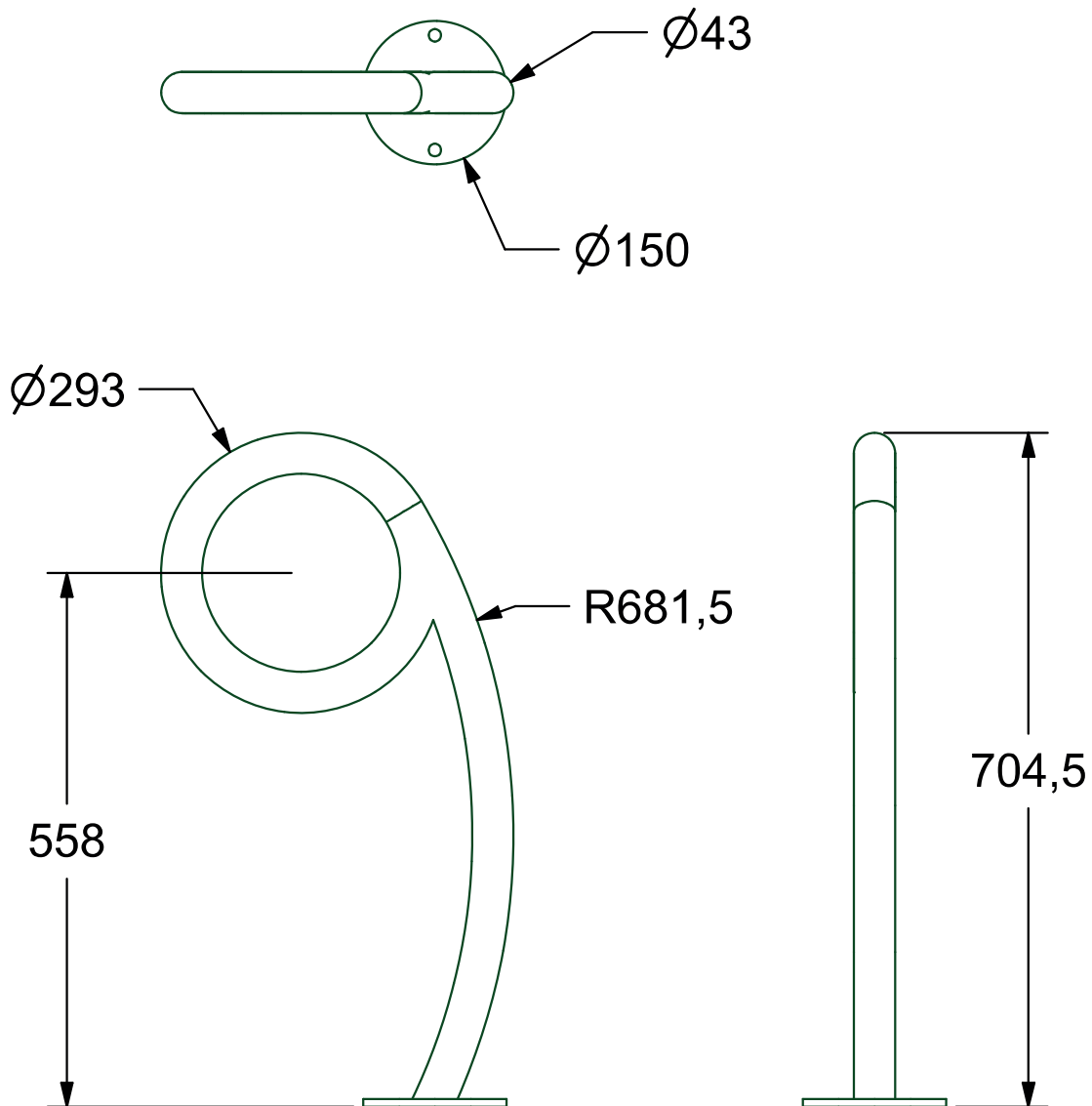




Max Dimensions:

Height: 704,5 mm | Ring diameter: 293 mm | Base diameter: 150 mm | Tube diameter: 43 mm

Weight: 4 kg

**Description:**

The bike rack PEO is made in tubular steel of 43 mm diam. and 2 mm thickness. It is fixed to the ground through a circular base plate of 150 mm diam and 80/10 thickness, with 4 holes of 13 mm diam. for the use of specific bolts (not provided), welded to the tubular steel.

For the realization of this product, Steel EN10111DD11 is used and later treated with a cycle of sandblasting, cataphoresis and powder coating. Such cycle is meant to guarantee the protection of the painted products, in an environment of C4 corrosion class, as requested by the UNI regulations EN ISO 12944-2.

The products are eventually polyester-powder coated with RAL colours at choice.