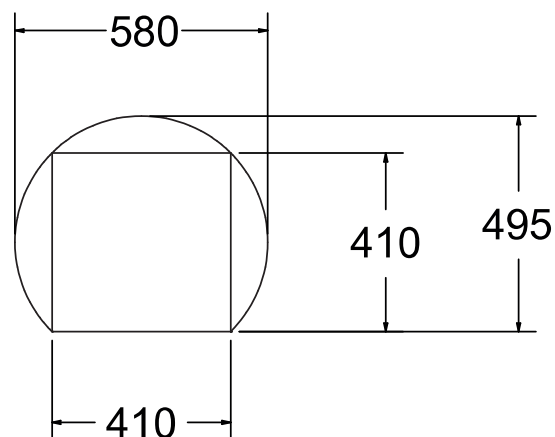
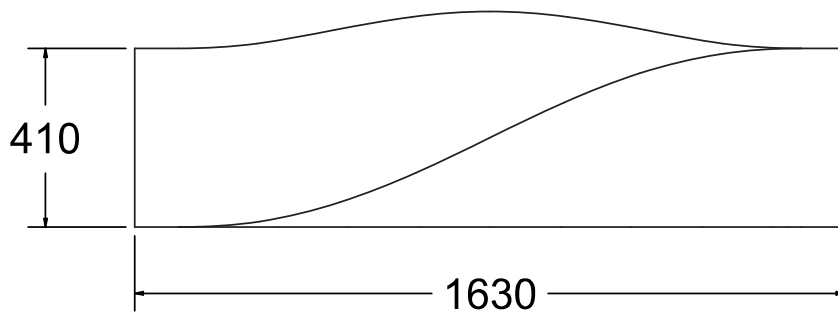
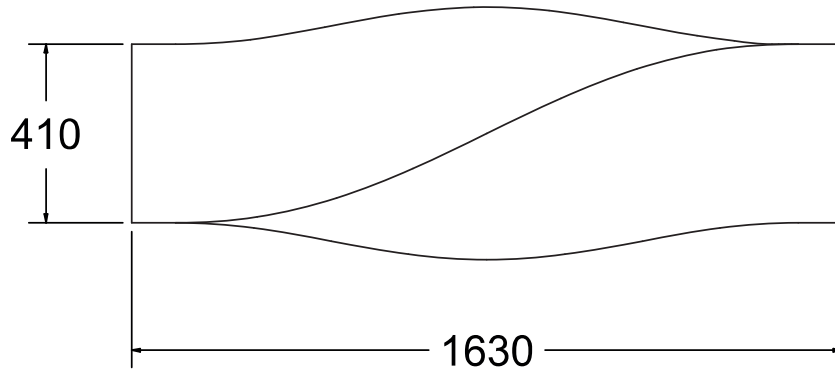




**Max dimensions:**

Height: 580 mm | Width: 495 mm | Length: 1630 mm

**MATERIAL DESCRIPTION**

Fiber-reinforced composite material made of a polyester resin and marble powder particularly resistant to wear and to atmospheric agents. Scratches and accidental damages can also be easily repaired thanks to the appropriate kits (available on request).

Hypergranite is finally available in different colours.

LAB23

S DECORATION

Bench



Designer: Veronica Martinez