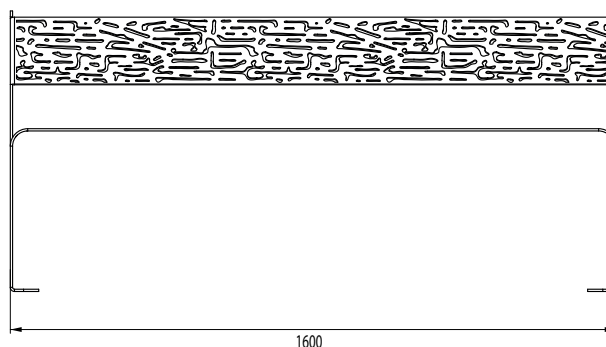
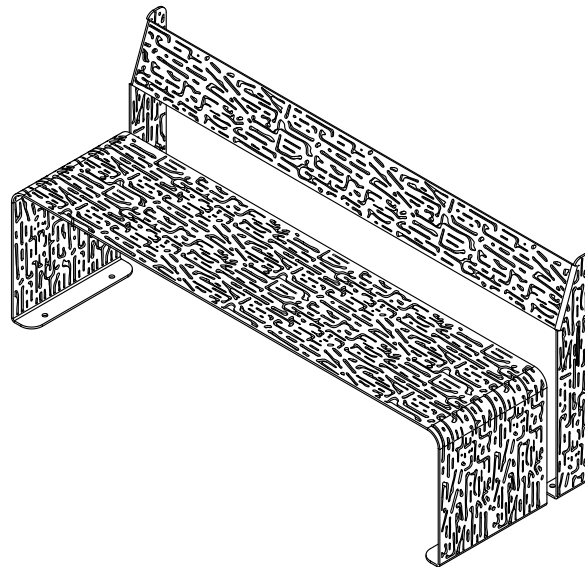
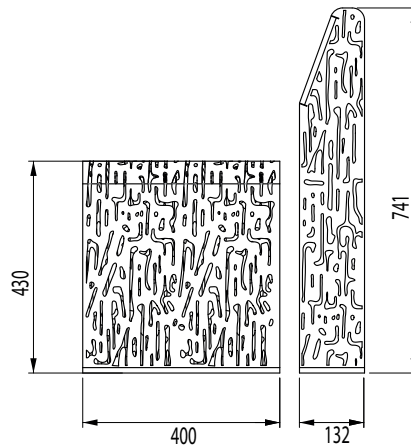




Max Dimensions:

Height: 741 mm | Length: 1600 mm | Width: 400+132 mm

**Description:**

The PLEGADO bench is made of steel EN10111DD1, thickness 40/10, (or Corten treated with an oxidation cycle). The seat and the backrest are made of a single steel sheet plate, characterised by a particular "texture" called "New York", laser cut shaped. The ground fixture is possible through cementation of some extensions of the seat or backrest feet, or through appropriate bolts. In the latter case, in the extremities of the seat and backrest feet, are created some folds at 90° degrees, thus obtaining some supports, deep 60 mm, with 2 holes D 10 mm.