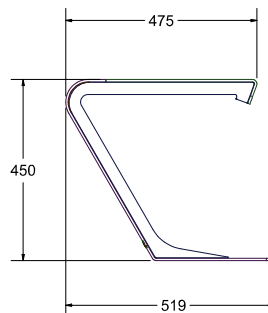
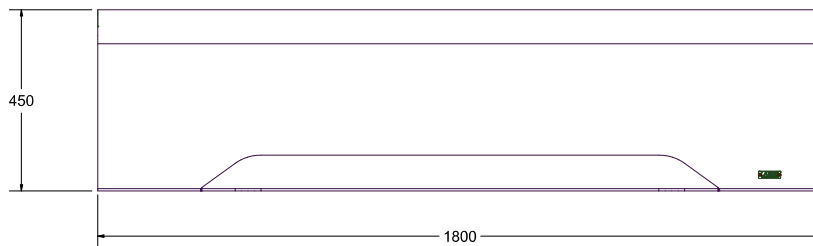
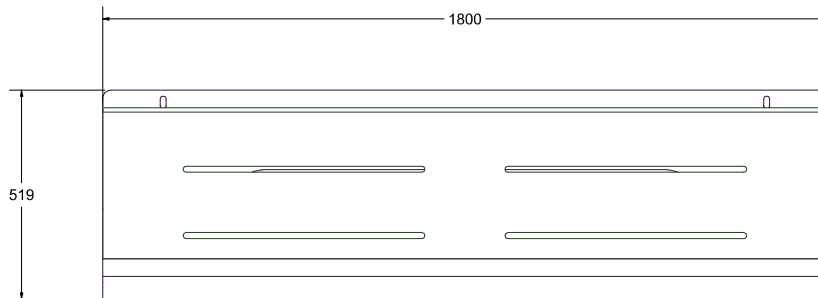




Max Dimensions:

Height: 450 mm | Depth: 519 mm | Depth of the seat: 475 mm
Length: 1800 mm | Weight (without backrest): 103 Kg

**Description:****Horizon steel seat**

The bench HORIZON is made in steel (60/10 thickness). The bench is made of 2 bent steel sheets, joined together through a continuous welding. Under these sheets, 3 solid plates of support (H 30 mm) are welded. The base of the metal structure has 4 holes (14 mm diam.) to be fixed to the ground through specific bolts (not provided).

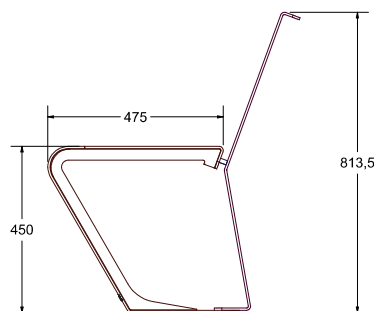
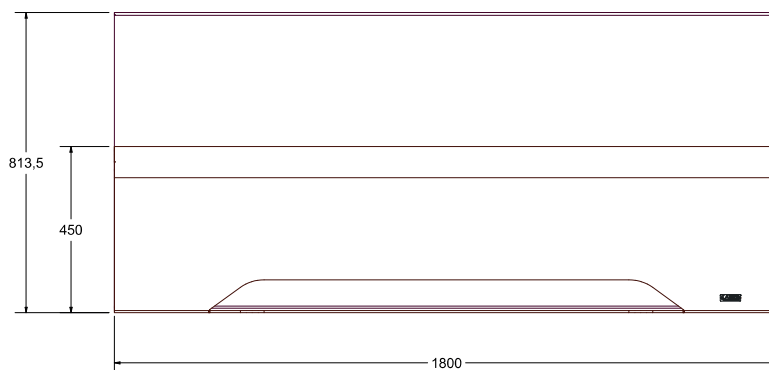
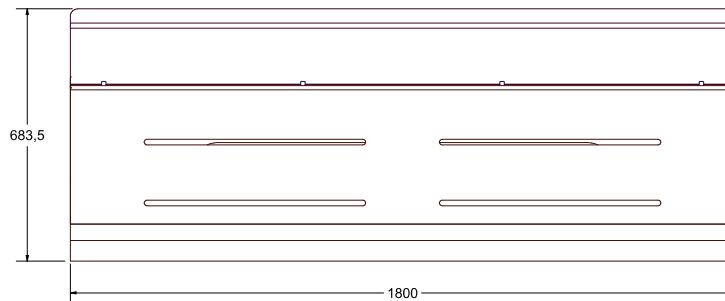
For the realization of this product, Steel EN10111DD11 is used and later treated with a cycle of sandblasting, cataphoresis and powder coating. Such cycle is meant to guarantee the protection of the painted products, in an environment of C4 corrosion class, as requested by the UNI regulations EN ISO 12944-2.

The products are eventually polyester-powder coated with RAL colours at choice.

As an alternative to steel EN10111DD11, the production in corten is also available, on demand. In this case the material is treated with a specific oxidation process.

Max Dimensions:

Height: 450 mm | Height with backrest: 813,5 mm | Depth of the seat: 475 mm
Depth: 683,5 mm | Length: 1800 mm | Weight (with backrest): 187,2 Kg

**Description:****Horizon steel bench**

The bench HORIZON WITH BACKREST is made in steel (60/10 thickness). The bench is made of 2 bent steel sheets, joined together through a continuous welding. Under these sheets, 3 solid plates of support (H 30 mm) are welded. The backrest is fixed to the seat through 4 M8 screws and is made in steel (60/10 thickness). Between the seat and the backrest there's a space of 20 mm, result of specific spacers made in brushed tubular stainless steel AISI 316 12x2 mm. The base of the metal structure has 4 holes (14 mm diam. to be fixed to the ground through specific bolts (not provided).

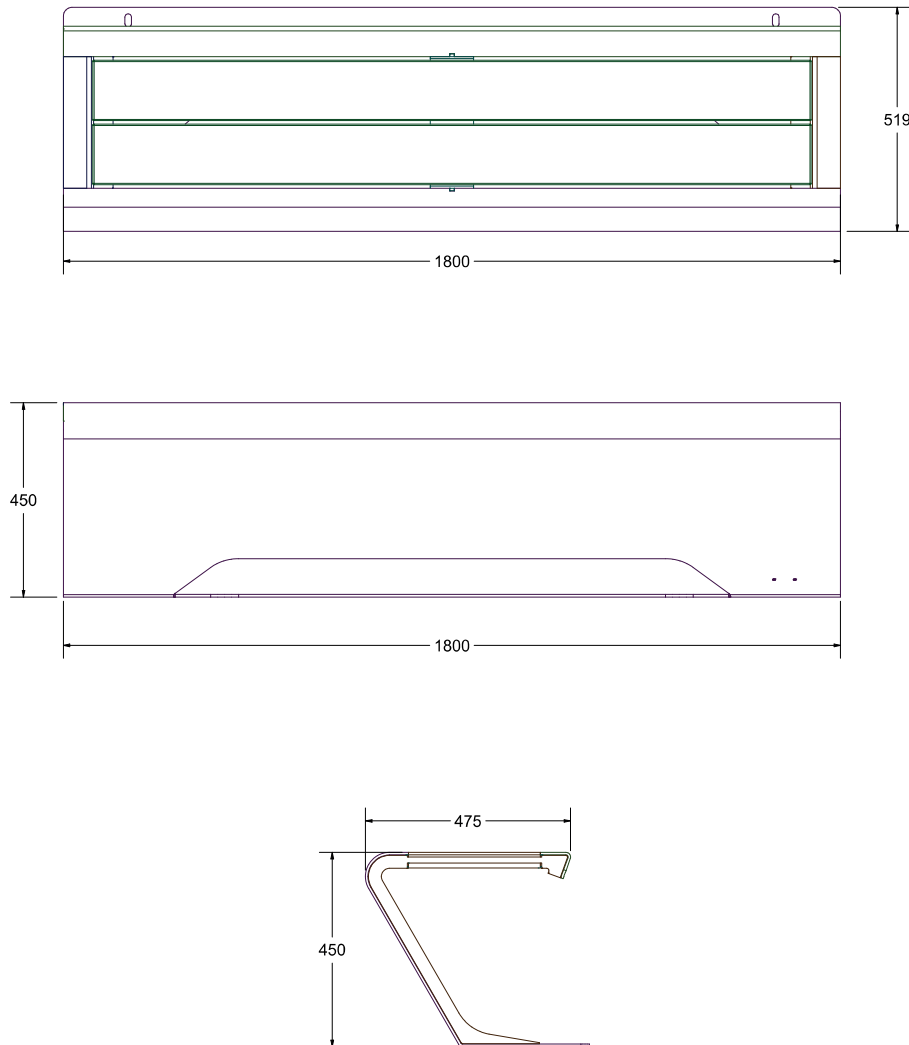
For the realization of this product, Steel EN10111DD11 is used and later treated with a cycle of sandblasting, cataphoresis and powder coating. Such cycle is meant to guarantee the protection of the painted products, in an environment of C4 corrosion class, as requested by the UNI regulations EN ISO 12944-2.

The products are eventually polyester-powder coated with RAL colours at choice.

As an alternative to steel EN10111DD11, the production in corten is also available, on demand. In this case the material is treated with a specific oxidation process.

Max Dimensions:

Height: 450 mm | Depth: 519 mm | Depth of the seat: 475 mm
Length: 1800 mm | Weight (without backrest): 103 Kg

**Description:**

The bench HORIZON WPC is made in steel (60/10 thickness). The bench is made of 2 bent steel sheets, joined together through a continuous welding. Under these sheets, 3 solid plates of support (H 30 mm) are welded. On the seat there are 2 slats in WPC dim. 1665x140 mm and 22 mm thick, fixed to the load-bearing structure through 3 brackets in steel (60/10 thickness). The base of the metal structure has 4 holes (14 mm diam.) to be fixed to the ground through specific bolts (not provided).

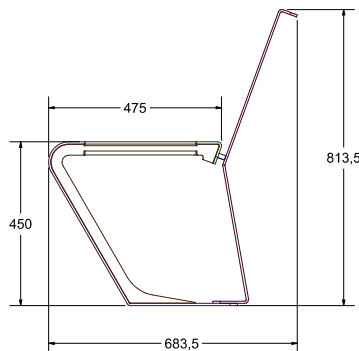
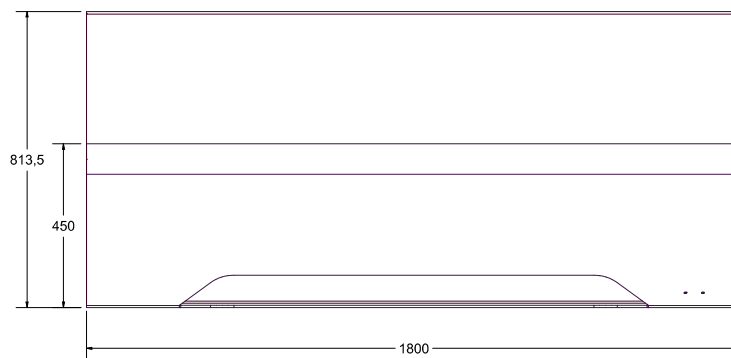
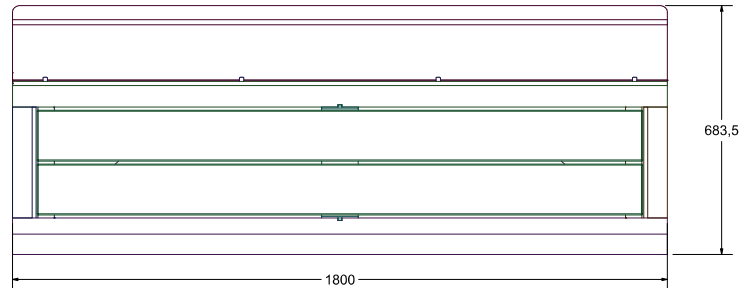
For the realization of this product, Steel EN10111DD11 is used and later treated with a cycle of sandblasting, cataphoresis and powder coating. Such cycle is meant to guarantee the protection of the painted products, in an environment of C4 corrosion class, as requested by the UNI regulations EN ISO 12944-2. The products are eventually polyester-powder coated with RAL colours at choice.

As an alternative to steel EN10111DD11, the production in corten is also available, on demand. In this case the material is treated with a specific oxidation process.

WPC (Wood Plastic Composite) is made of 70% recycled wood and 30% recycled plastic.

Max Dimensions:

Height: 450 mm | Height with backrest: 813,5 mm | Depth of the seat: 475 mm
 Depth: 683,5 mm | Length: 1800 mm | Weight with backrest: 163 Kg

**Description:**

The bench HORIZON WPC WITH BACKREST is made in steel (60/10 thickness). The bench is made of 2 bent steel sheets, joined together through a continuous welding. Under these sheets, 3 solid plates of support (H 30 mm) are welded. On the seat there are 2 slats in WPC dim. 1665x140 mm and 22 mm thick, fixed to the load-bearing structure through 3 brackets in steel (60/10 thickness). The backrest is fixed to the seat through 4 M8 screws and is made in steel (60/10 thickness). Between the seat and the backrest there is a space of 20 mm, result of specific spacers made in brushed tubular stainless steel AISI 316 12x2 mm. The base of the metal structure has 4 holes (14 mm diam.) to be fixed to the ground through specific bolts (not provided).

For the realization of this product, Steel EN10111DD11 is used and later treated with a cycle of sandblasting, cataphoresis and powder coating. Such cycle is meant to guarantee the protection of the painted products, in an environment of C4 corrosion class, as requested by the UNI regulations EN ISO 12944-2. The products are eventually polyester-powder coated with RAL colours at choice.

As an alternative to steel EN10111DD11, the production in corten is also available, on demand. In this case the material is treated with a specific oxidation process.

WPC (Wood Plastic Composite) is made of 70% recycled wood and 30% recycled plastic.

LAB23

HORIZON

Bench



Designer: Stéphane Chapelet
