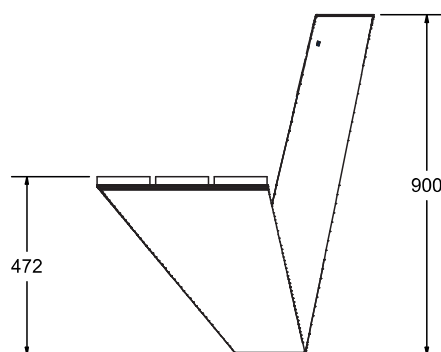
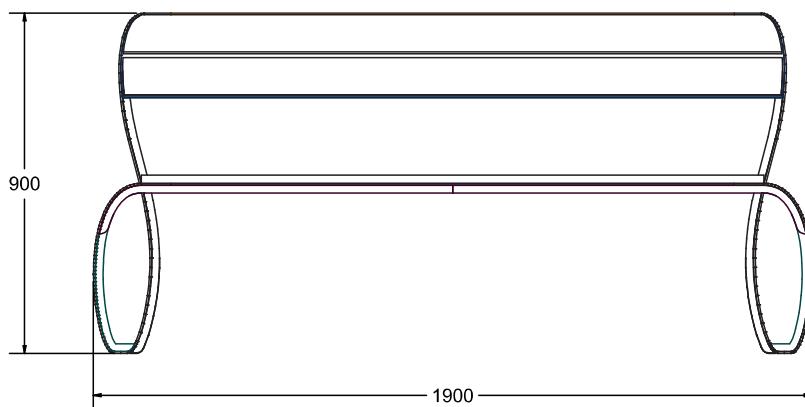
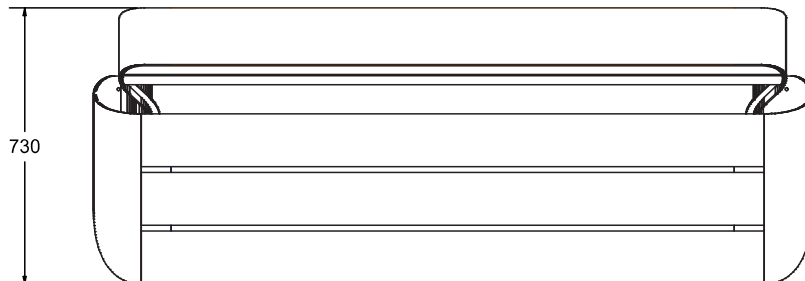




Max dimensions:

Height tot: 900 mm | Width: 730 mm | Length: 1900 mm

**DESCRIPTION**

The main structure of the bench Fluxus, is made of steel sheet EN10111DD11 th. 50/10 then galvanised and polyester powder coated. The whole bench is reinforced with steel profiles th. 50/10 h. 10 mm. The seat and backrest are made of WPC (Wood Plastic Composite), 70% recycled wood and 30% recycled plastic. At the base of the bench there are 4 holes (2 per foot) M10 for attachment to the ground by bolts (not supplied). DESIGN BY: Roberto Semprini

LAB23

LUXUS

Bench



Designer: Arch. Roberto Semprini