



Dimensions:
H=1440 mm + h 260 mm, L=310 mm, D=303 mm,
Litter bin capacity: 22 lt
Weight: approx. 21 kg

Optional accessories:

Dispenser with IR sensor (comes with drop-collector)*

Bottle-holder*



* dispenser and bottle-holder shown are purely indicative. These items can vary according to the availability.



Stickers kit - not applied - for:
disposable gloves / masks / wipes



Sanification Point
BERING is a practical
and intuitive solution
for indoor use.

The system includes an openable compartment which can store one bag for waste collection and one box of devices, such as disposable gloves, mask and wipes.

To ease the use, specific pictograms can be applied for a clear visual indication.

Thanks to appropriate pre-arranged holes on the front side, the module can be equipped with a battery powered automatic dispenser of hand-sanitizer or with a stainless steel universal bottle-holder, becoming also an elegant and compact hand sanitization station.

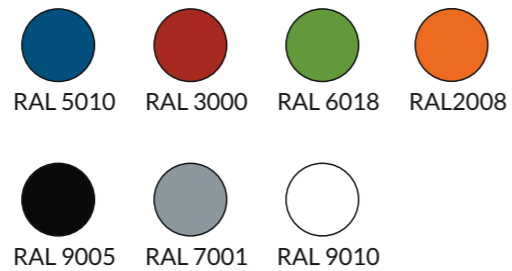
The automatic dispenser comes with a practical drop-collector.



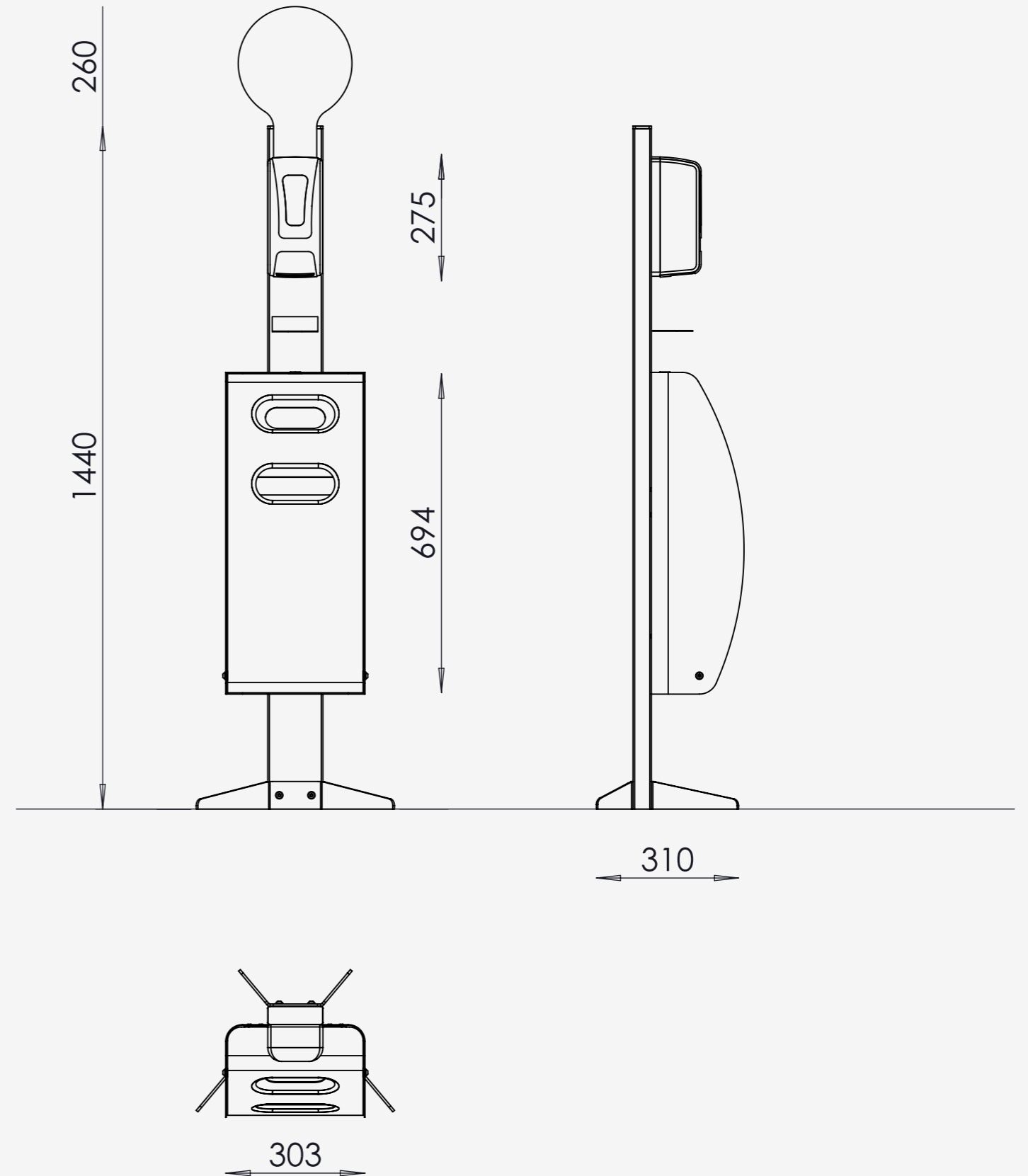
Optional accessory:
circular sign for logo
(customizable with stickers)

Available in powder coated steel.

Openable front door is always in RAL 9010,
smooth finish.
Column and fixed compartment structure
can be coloured in 7 different RAL, smooth finish.



"SANIFICATION POINT" sticker available in 6 colour combinations – not applied.



Dimensions:
H=1440 mm + h 260 mm, L=310 mm, D=303 mm,
Litter bin capacity: 22 lt
Weight: approx. 21 kg