

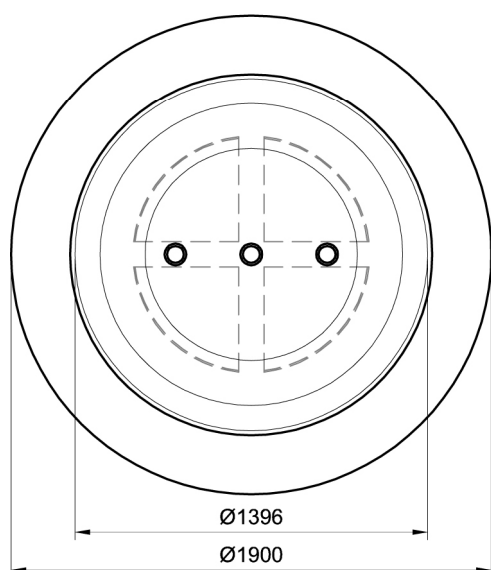
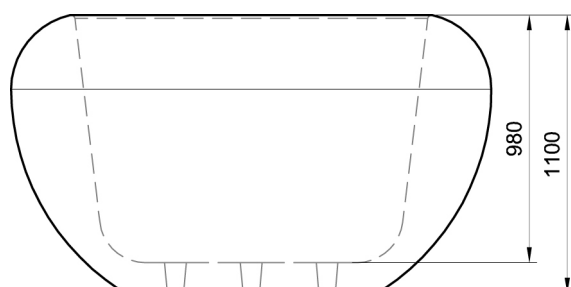
“MARTE” Planter

Sheet code: FIPP004

Drawing code: AF01100304

Revision: 22/01/2019

Designer:
Bellitalia Design Department



Product: Monolithic planter model “MARTE”, fitted with bottom **overflow discharge devices**.

Dimensions: external diameter: 1900 mm;
maximum height: 1100 mm;
total weight: 3005 kg;
capacity: 1225 litres.

Material: The planter can be manufactured using reconstituted natural marble stones or white granite conglomerate.

Reinforcing: The planter is reinforced, with internal bushes for lifting.

Finishing: The planter's surface can be polished, to give the product a shiny effect, or bush-hammered, for a rough appearance. The surface is then covered with a transparent anti-decay coating, or, upon request, with anti-graffiti products. All edges are rounded or made blunt.

Handling: Use appropriate equipment when handling, screwing the eyebolts to the bushes.

Installation: Simply place the planter on the flooring and remove the eyebolts used for lifting.