

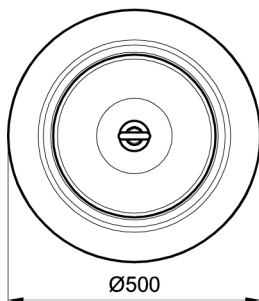
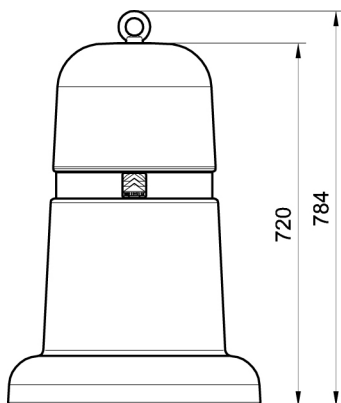
“RAY” Bollard

Sheet code: *DICL004*

Drawing code: *AD16010101*

Revision: *23/01/2019*

Designer:
Bellitalia Design Department



Product: Bollard with circular section model “RAY”, composed by two elements, a central band in between and an eyebolt for its handling or for a go-through chain. The lower element has a widened base, to ensure an enhanced stability.

Dimensions: diameter: 500 mm;
height: 720 mm;
total weight: 200 kg.

Material: Both elements can be manufactured using reconstituted natural marble stones, white granite or grey concrete conglomerate. Copper or stainless steel central band and steel eyebolt. The two elements are held together by a stainless steel thread bar.

Reinforcing: Both elements are reinforced and fitted with bushes that permit the eyebolt's fastening.

Finishing: All visible concrete surfaces are completely sandblasted and then covered with a transparent anti-decay coating, or, upon request, with anti-graffiti products. The copper band is painted with a protective coating for a durable shiny appearance, while the stainless steel band undergoes a satin finish treatment. The eyebolt is treated by a hot dip galvanisation. All edges are rounded or made blunt.

Handling: Use appropriate equipment when handling.

Installation: Simply place on the flooring.